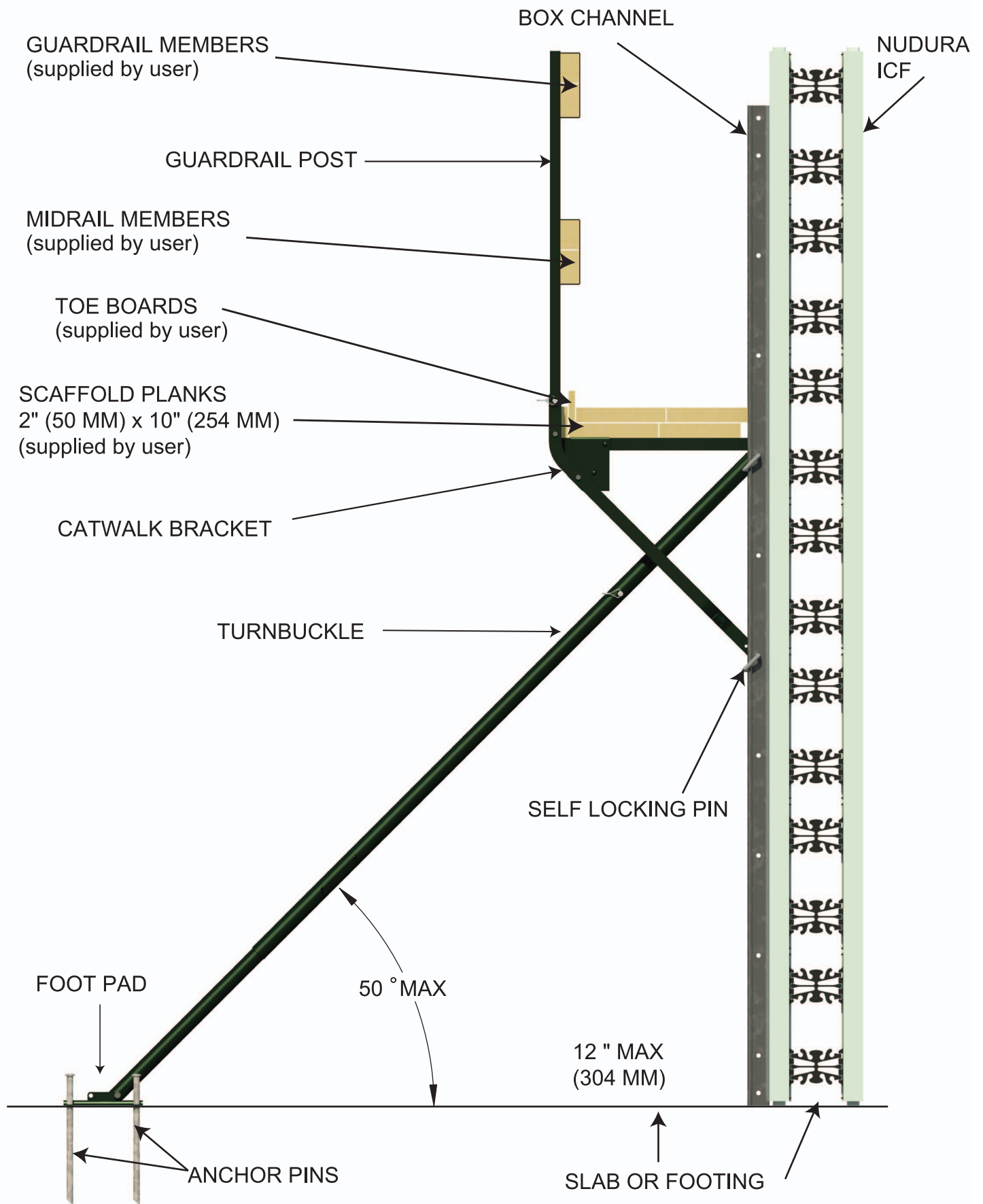


NUDURA BRT10R - ALIGNMENT SYSTEM



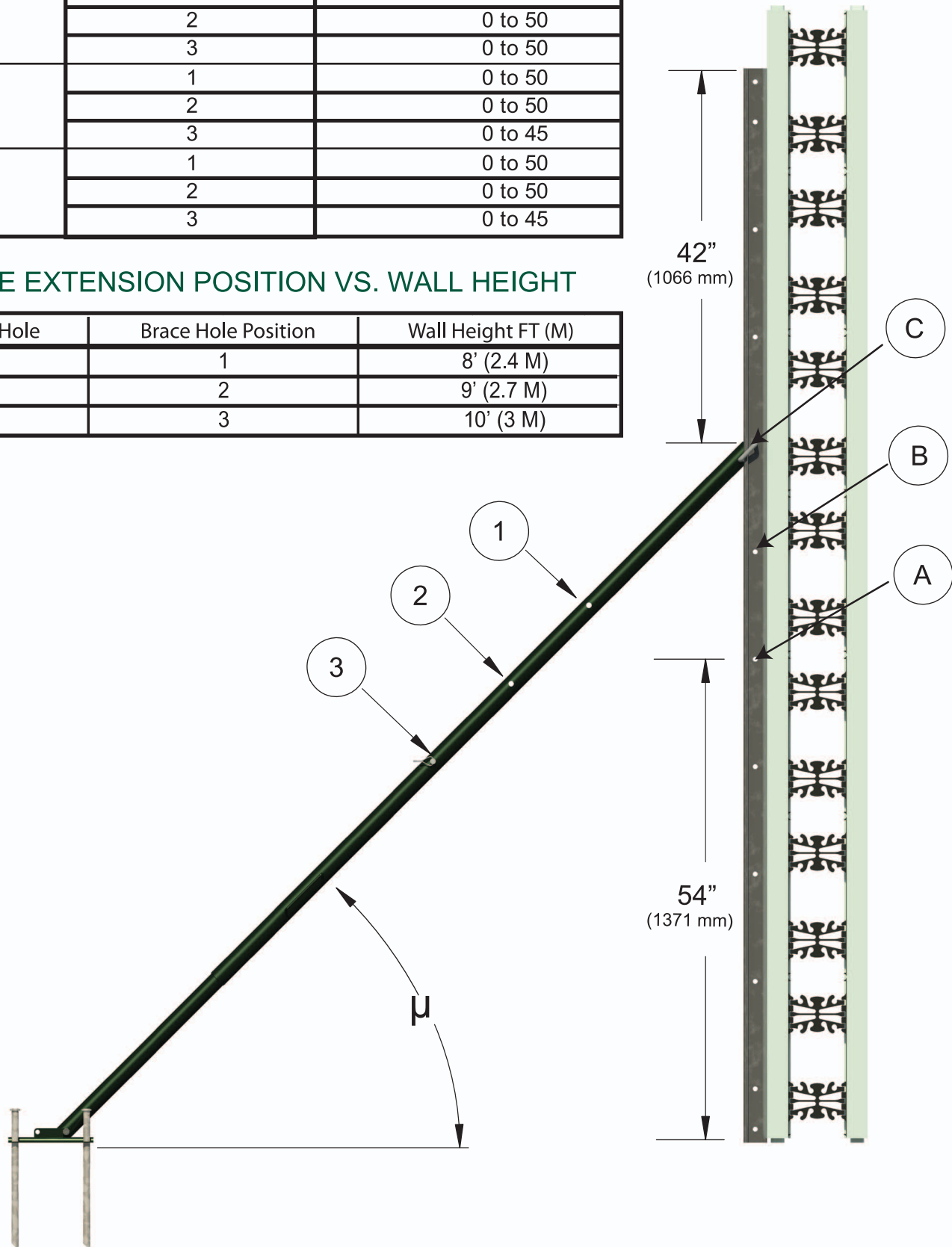
NUDURA BRT10R - ALIGNMENT SYSTEM

BRACE EXTENSION & ANGLE RANGE

Box Channel Hole	Brace Hole Position	Angle Range Allowed (μ) degree
A	1	0 to 50
	2	0 to 50
	3	0 to 50
B	1	0 to 50
	2	0 to 50
	3	0 to 45
C	1	0 to 50
	2	0 to 50
	3	0 to 45

TURNBUCKLE EXTENSION POSITION VS. WALL HEIGHT

Box Channel Hole	Brace Hole Position	Wall Height FT (M)
A	1	8' (2.4 M)
B	2	9' (2.7 M)
C	3	10' (3 M)



NUDURA BRT10R - ALIGNMENT SYSTEM

Fastening Requirements

Use #10 Pan Head screw to secure the box channel on ICF, maximum spacing 16" (406 mm), torque to allow vertical movement. (supplied by user)
 Install screws at the top of the slots

Fix guardrail members with pan head wood screw #10 x 1 1/2" (38mm) (supplied by user)

Fix toe board to plank with nails or wood screws (supplied by user)

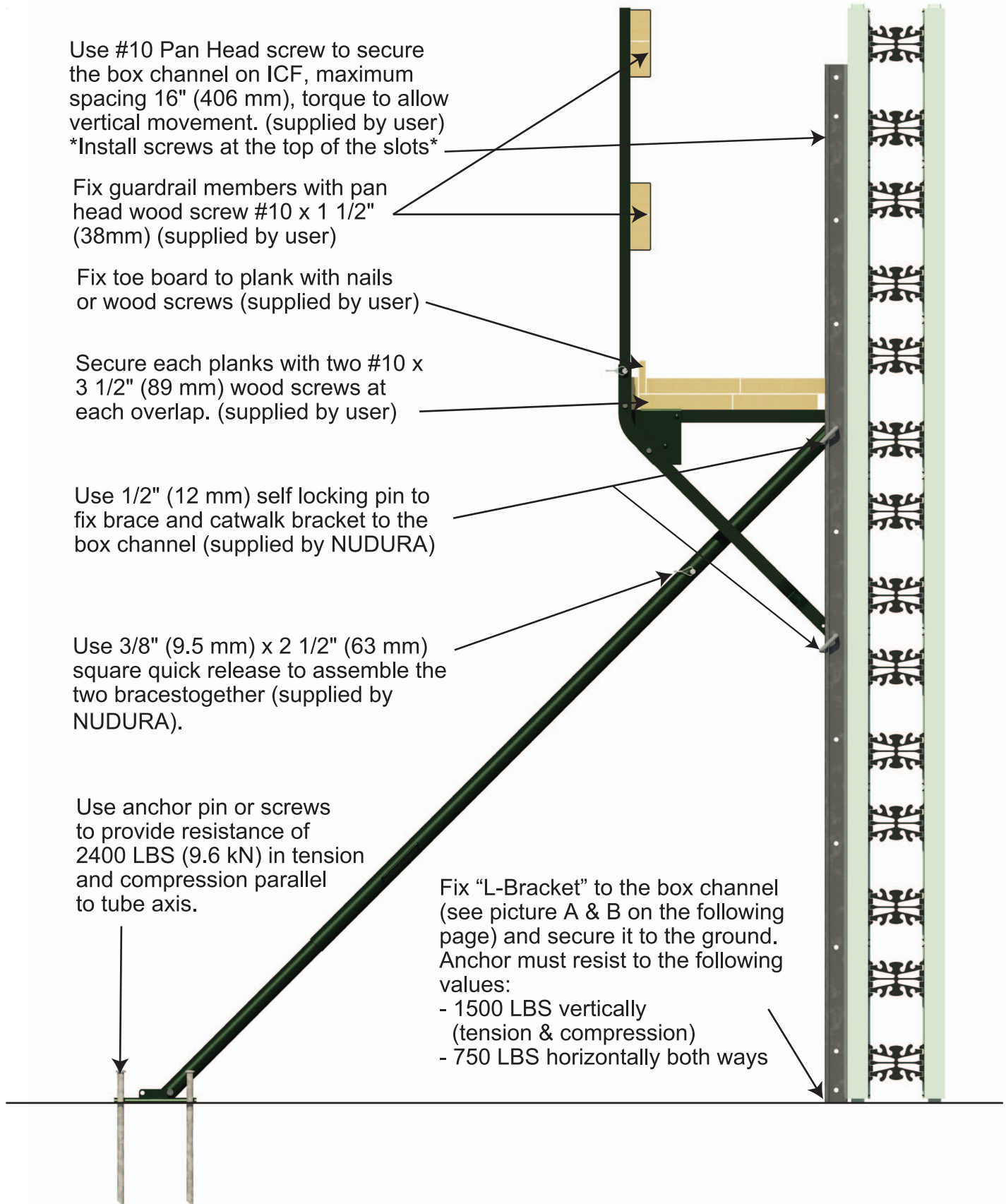
Secure each planks with two #10 x 3 1/2" (89 mm) wood screws at each overlap. (supplied by user)

Use 1/2" (12 mm) self locking pin to fix brace and catwalk bracket to the box channel (supplied by NUDURA)

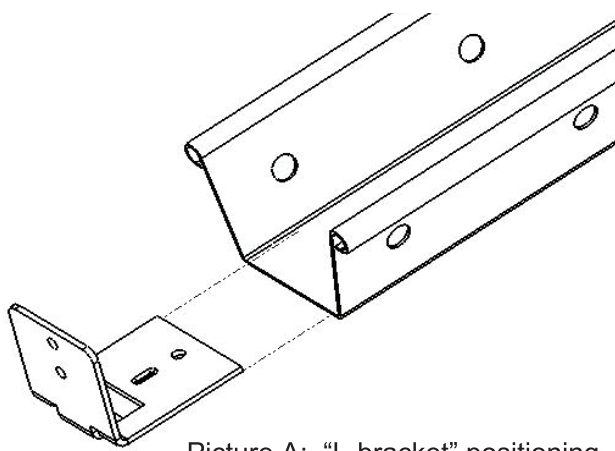
Use 3/8" (9.5 mm) x 2 1/2" (63 mm) square quick release to assemble the two brace together (supplied by NUDURA).

Use anchor pin or screws to provide resistance of 2400 LBS (9.6 kN) in tension and compression parallel to tube axis.

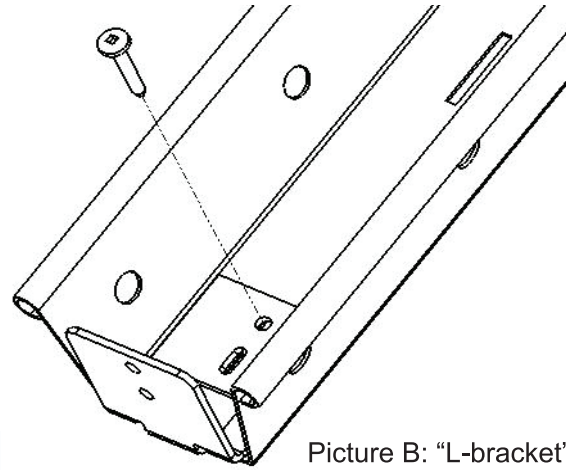
Fix "L-Bracket" to the box channel (see picture A & B on the following page) and secure it to the ground. Anchor must resist to the following values:
 - 1500 LBS vertically (tension & compression)
 - 750 LBS horizontally both ways



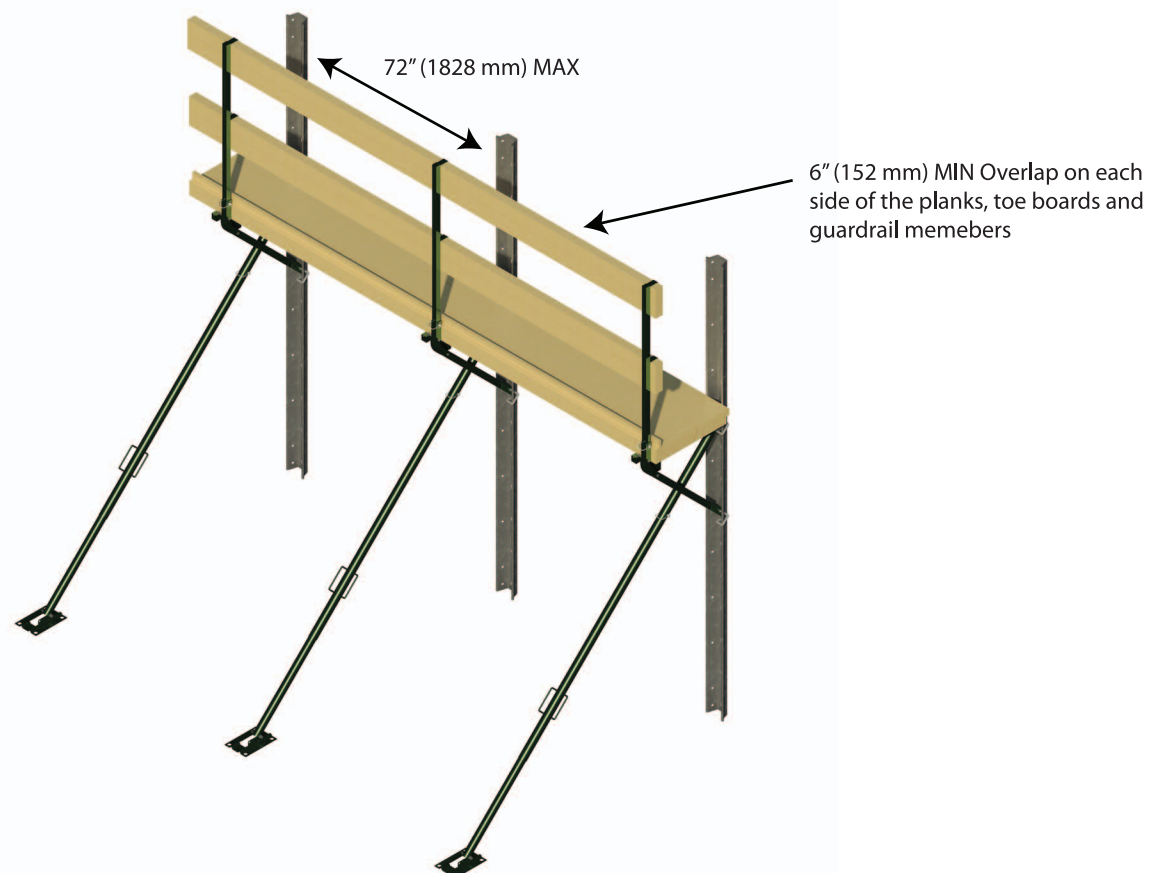
NUDURA BRT10R - ALIGNMENT SYSTEM



Picture A: "L-bracket" positioning



Picture B: "L-bracket" attachment



Picture C; 3 Alignment System kits with scaffold planks and handrail members

SCAFFOLDING SPECIFICATION:

- Maximum vertical load per scaffold section : 250 LBS (1.1 kN)
- The maximum spacing between catwalk brackets is limited to 6 feet (1.83 m)
- The NUDURA alignment system is designed to resist wind pressures of up to 50 mph (80 km/h) on an unoccupied scaffold.
- All workers must evacuate and all equipment be removed from the scaffolding if the wind speed exceed 31 mph (50 km/h).
- Additional support must be provided if wind speed exceeds those values.